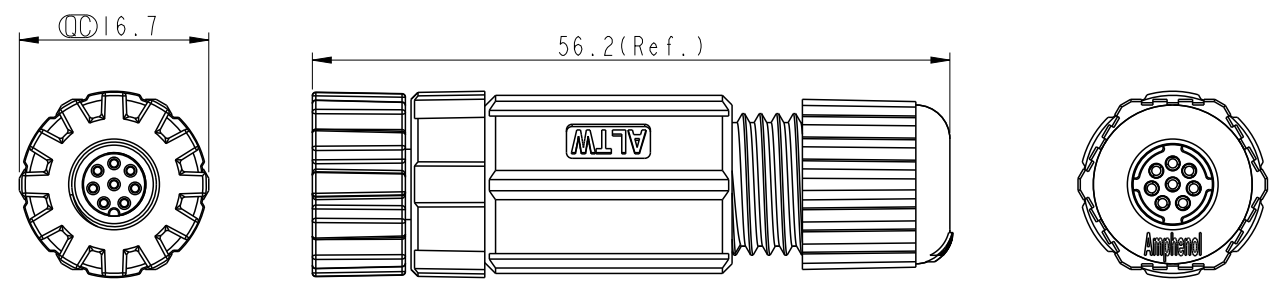
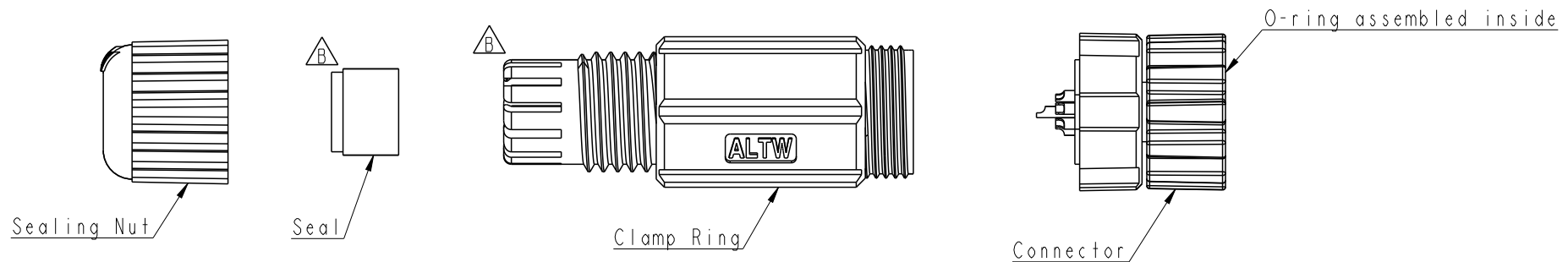
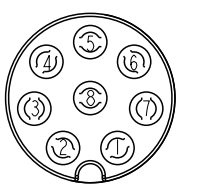


THIS DOCUMENT IS SUBJECT TO CHANGE WITHOUT NOTICE. IT IS CONFIDENTIAL AND A PROPERTY OF AMPHENOL LTW. DISCLOSURE TO THIRD PARTY HAS TO BE AUTHORIZED BY AMPHENOL LTW.

REV.	ECN NO.	DATE	SIGN	DESCRIPTION
A	-	2023/02/23	Aber	Rev.02 to Rev.A
B	C240471	2024/06/14	Sam Ho	$\triangle B$ X3



8P-XXBFFA-SL7001
XX: No. Of Pin



Pin Assignments
Front View

- Notes:
- * RoHS Compliant
 - * \varnothing Important Dimension.
 - $\triangle B$ * Waterproof Rate: IP67, Mated.
 - * Connector Housing: Thermoplastic, Black.
Pin: Copper Alloy, Gold Plated.
Nut: Thermoplastic, Black.
 - * O-Ring: Rubber, Green.
 - * Clamp Ring: Thermoplastic, Black.
 - * Seal: Rubber, Black.
 - * Sealing Nut: Thermoplastic, Black.
 - * Seals for Cable OD: $\varnothing 4.5\text{mm} \sim \varnothing 6.5\text{mm}$
 - * One set unassembled in one PE bag

UNIT:mm		TITLE		ITEM NO		DRAWN BY		DATE	
		O SEN, M8 PLASTIC CABLE W/O SR, F, F, FI SOLDER		M8P-XXBFFA-SL7001		Sam Ho		2024/06/14	
		SCALE 3:2	SIZE A4	SHEET 1 OF 1	CUSTOMER	APPROVED BY	DATE		
TOLERANCE		REV. B	WC-REV. A.3	ALTW		Fred Lee		2024/06/14	
.X ± 0.25		\varnothing : Inspection item		Amphenol LTW		安費諾亮泰企業股份有限公司		W10814-03-001A2	
.XX ± 0.1									
.XXX ± 0.05									
ANGLES $\pm 1^\circ$									